

Part number: TYW12000FS

Rated line pull: 12000 lbs, (5443 kg) single-line

Motor: Two series wound motors with single 7 Hp/3.2 Kw (output power), 12 V DC

Gear train: 3-Stage Planetary gear & transmission gear

Gear Ratio: 138:1

Clutch: Air clutch

Brake: Automatic in the drum

Drum Diameter/Length: 2.5"/11.8" (64 mm/299 mm)

Rope: 7/16" x164' (11 mm X 50 m) synthetic

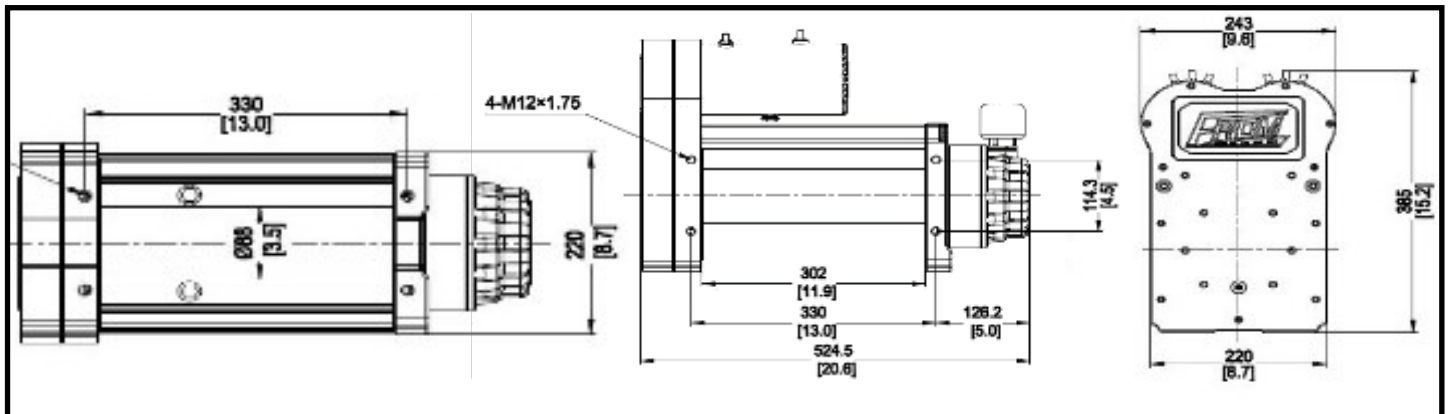
Fairlead: Aluminium hawse

Battery cable: 86,6" (2,2 m)

Mounting Bolt Pattern: 13" x 4,5" (330 mm x 114.3) 13" x 4,6" (330 mm x 171.2 mm)

Winch Dimensions: 21,1" x 9.6" x 16,5" (537 x 243 x 420 mm)

Weight: 152 lb (69 kg)



PERFORMANCE SPECIFICS
(First layer of drum)

LINE PULL Lb (Kg)	LINE SPEED FT/min (M/min)	MOTOR CURRENT
0	56 (17)	138 amp
6000 (2727)	20 (6)	440 amp
9000 (4090)	17 (5,2)	550 amp
12000 (5443)	15 (4,6)	640 amp